

## TECHNICAL SPECIFICATION

### ONE CHANEL POWER REPEATER



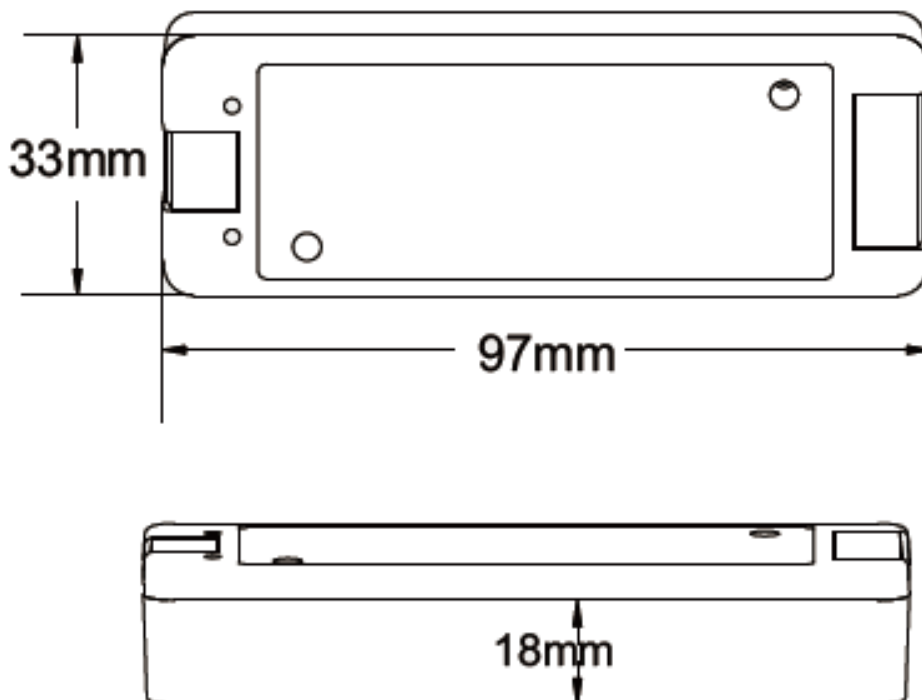
- Used with various LED constant voltage controller, expand output power of the controller to control more lamps.
- A controller can connect unlimited number of LED power repeaters in series or in parallel and achieve the synchronous control effects.

**Technical data:**

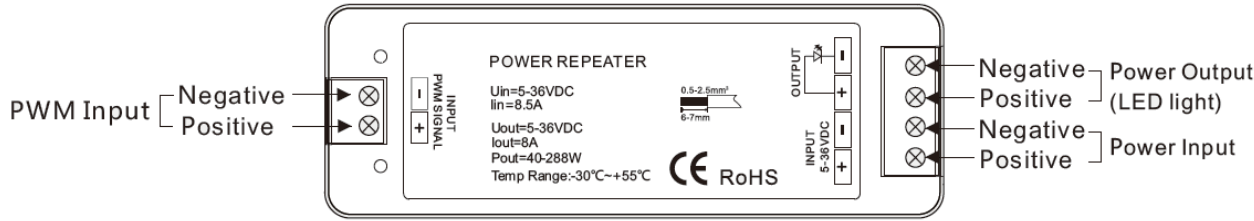
<b>Input voltage:</b>	5-36VDC
<b>Output current:</b>	1CH, 8A
<b>Output power:</b>	40-288W
<b>Working temperature:</b>	-30°C~55°C
<b>Product size:</b>	L97×W33×H18mm
<b>Net weight:</b>	41g
<b>Catalogue number:</b>	99REPEATER1

**LED power supply voltage and power select:**

- 5V lamp, Input 5V power supply, can load 0~40W
- 12V lamp, Input 12V power supply, can load 0~96W
- 24V lamp, Input 24V power supply, can load 0~192W
- 36V lamp, Input 36V power supply, can load 0~288W
- The power supply power must larger than load power 20%.

**Dimensions:**

## Interface Specification:



## Wiring diagram:

- Parallel connection

